

1 2 3 4 5 6 7 8

A

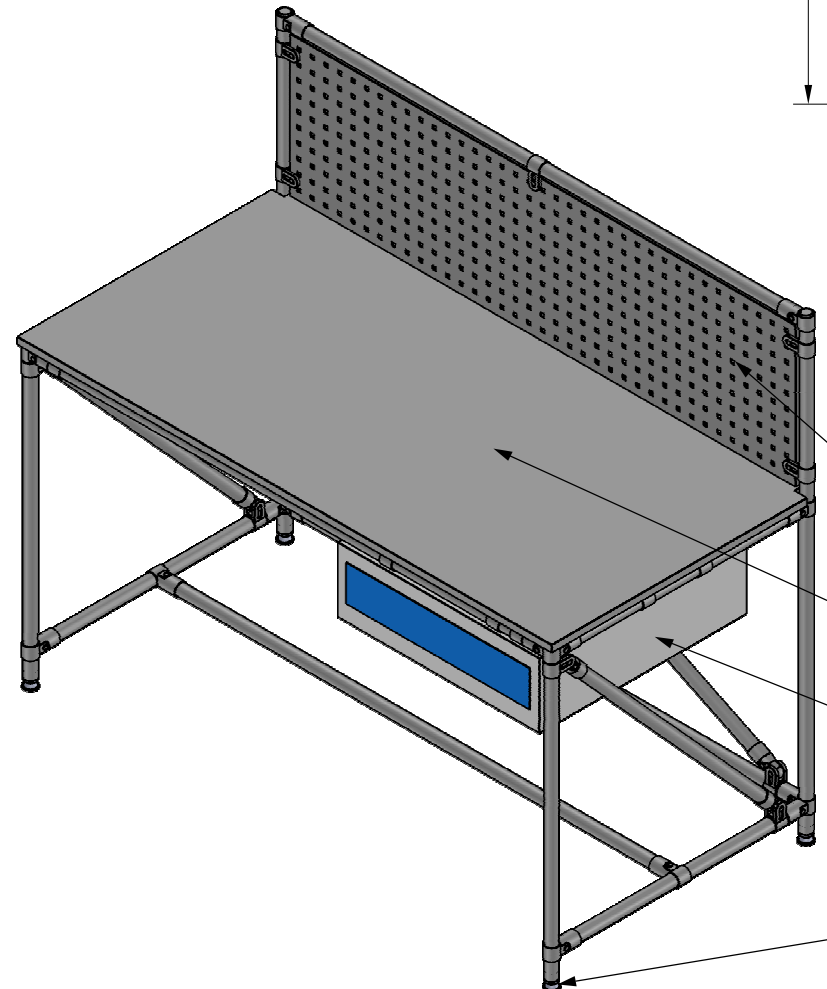
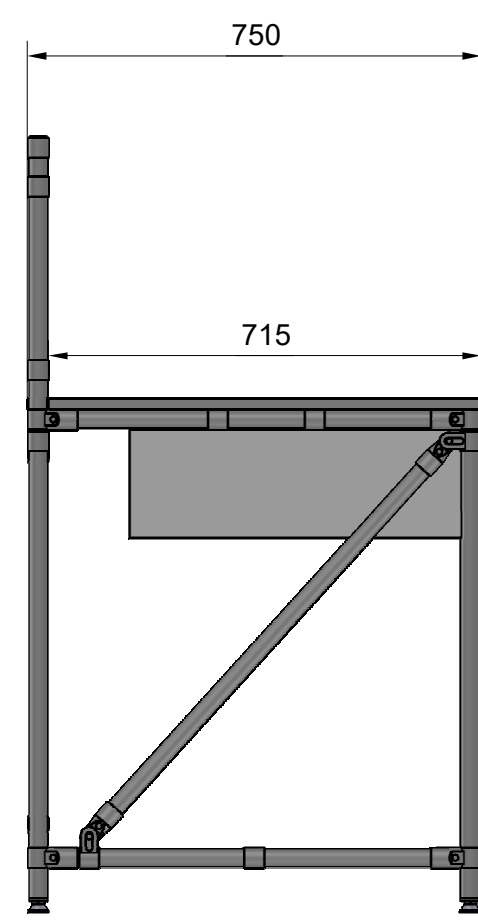
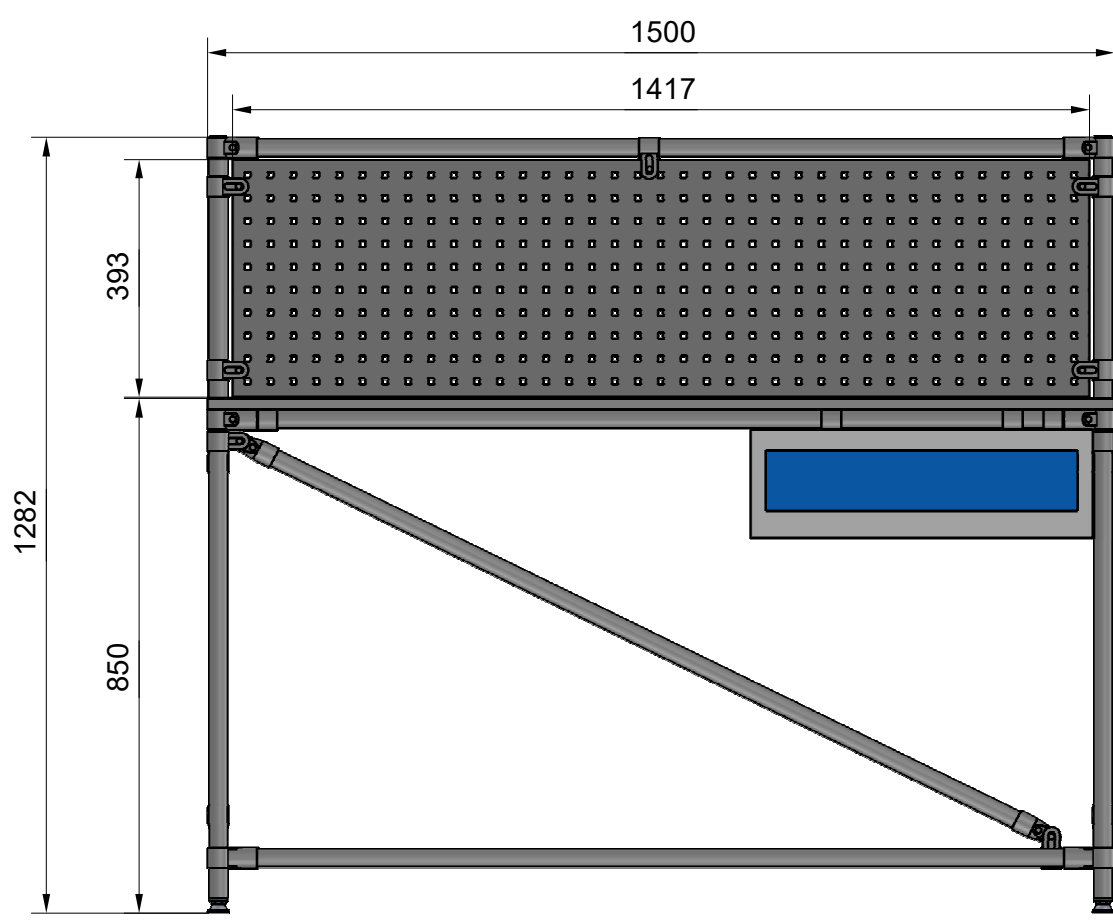
B

C

D

E

F



Perfopanel 1419x393mm

Dřevotřísková deska oboustranně laminovaná v dekoru 112 Kamenná šedá

Stolový kontejner XB10-1TG

4x stavitelné nožičky

Workshop accuracies for general tolerances - Tolerances for length and angle dimensions; DIN ISO 2768-1-v  
 -Machining details and finish classification to DIN ISO 1302

E	Total load capacity*: (Celková nosnost:*) <b>100 kg</b>		Load capacity - floor*: (nosnost na patro:*)	
	Scale	<b>A3</b>	Drawn Kempný	Checked
Title			Dat. <b>08.04.2024</b>	
Title			Sheet 1 of 1 Rev. <b>A00</b>	
Title			Doc.Nr. <b>24040831</b>	

This document is the sole property of Enprag s.r.o. and may not be copied, duplicated, used or given to third parties without the written permission from Enprag s.r.o. Misuse is subject to penalties and will be legally pursued

Tolerances for shape and condition:  
 - DIN ISO 2768-2-K  
 Tolerancing:  
 - DIN 7167



**Enprag**  
 Dílenský stůl s perfopanelem

Sheet 1 of 1 Rev. **A00**  
 Doc.Nr. **24040831**

1 2 3 4 5 6 7 8