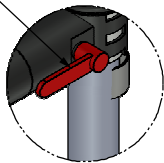


4x rychloupínací klíčka



Madlo - ocelová poplatovaná trubka - černá

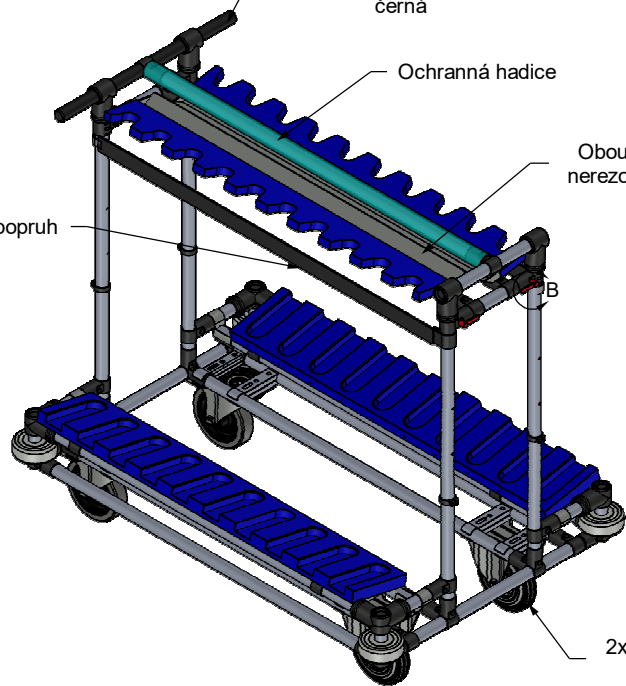
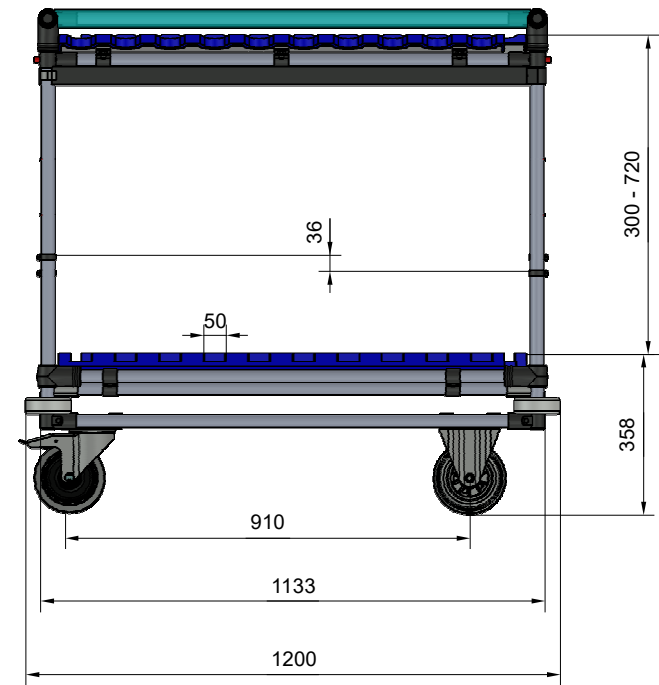
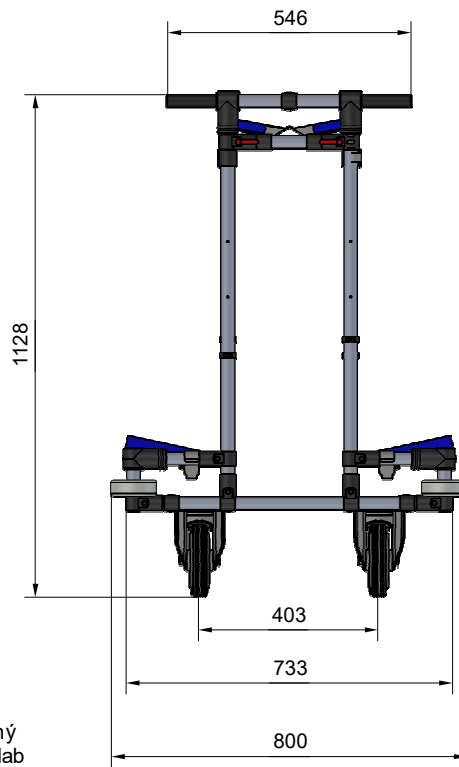
Ochranná hadice

Oboustranný nerezový žlab

2x gumový popruh

4x Gumový nárazník CB-1028

2x otočné kolečko s brzdou Ø160mm
2x pevné kolečko Ø160mm



Workshop accuracies for general tolerances - Tolerances for length and angle dimensions; DIN ISO 2768-1-v
-Machining details and finish classification to DIN ISO 1302

E	Total load capacity*: (Celková nosnost:*)	200 kg	Load capacity - floor*: (nosnost na patro:*)	kg
	Scale	A3	Drawn Vlach	Checked Dat. 3.5.2024
Enprag	Title Enprag s.r.o.			Sheet 1 of 2
	Title Vozík zbraně			Rev. A00
				Doc.Nr 24031105

This document is the sole property of Enprag s.r.o. and may not be copied, duplicated, used or given to third parties without the written permission from Enprag s.r.o. Misuse is subject to penalties and will be legally pursued

Tolerances for shape and condition:
- DIN ISO 2768-2-K
Tolerancing:
- DIN 7167

